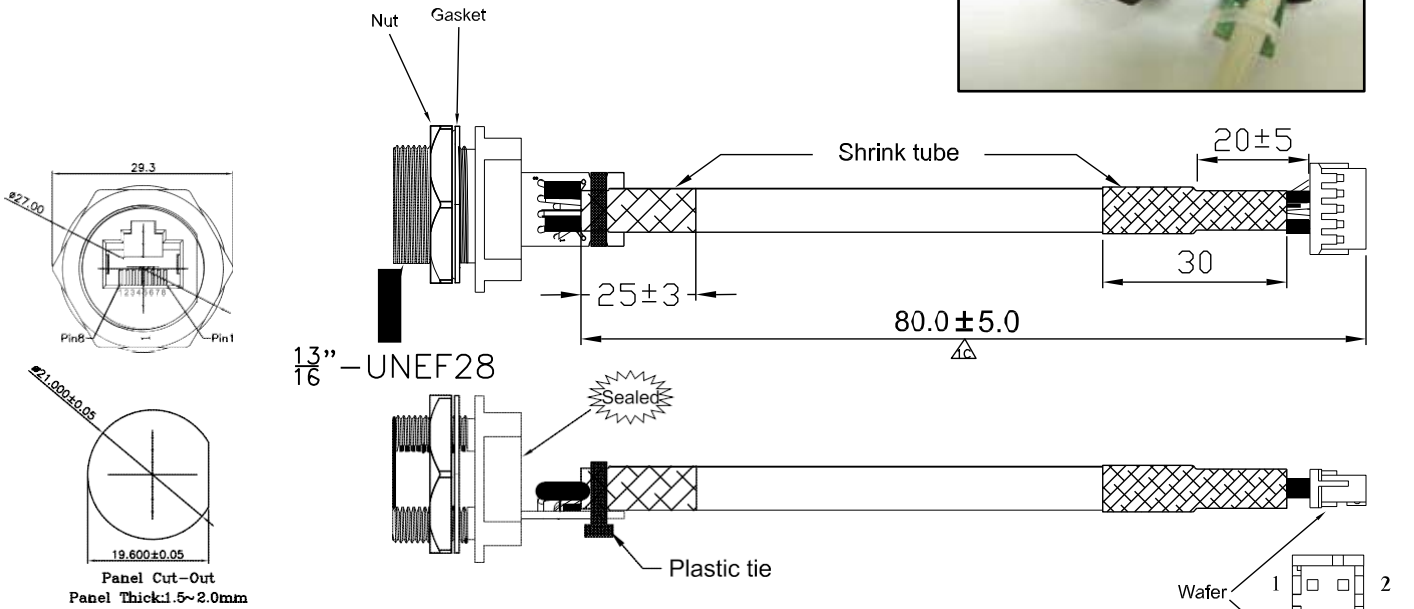
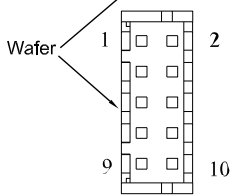


Waterproof RJ45 Jack With Cable and Wafer (IP68)



RJ45 Jack	Wire Color	Wafer
1	Brown	1
2	Brown / White	2
3	Red	3
4	Red / White	4
5	Orange	5
6	Orange / White	6
7	Green	7
8	Green/ White	8
Grounding	Blue	9
	Blue /White	10

Twist
Twist
Twist



Materials

- **Plastic Housing** : Engineering Thermoplastic.
Flammability Rating UL 94V-0.
- **Contacts** : Phosphor Bronze.
- **Plating** : Gold Plating Over Nickel In Contact.
- **Nut** : Engineering Thermoplastic Flammability Rating UL 94V-0
- **Gasket** : Silicone
- **Panel Thick** : 1.5~2.5mm
- **Wafer** : NY66



Ordering Information 3352E02010